

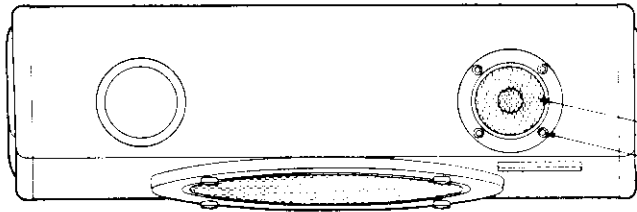
8 in (20cm) 2-WAY SPEAKER SYSTEM
KSC-8803
 SERVICE MANUAL

KENWOOD

© 1995-11 PRINTED IN JAPAN
 B51-6910-00(N) 368

EXTERNAL VIEW

Note: Please contact to KENWOOD
 U.S.A. CORPORATION California
 90810, U.S.A.
 If any question on service parts.

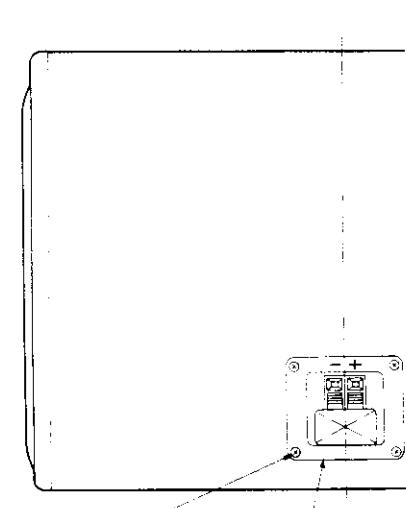
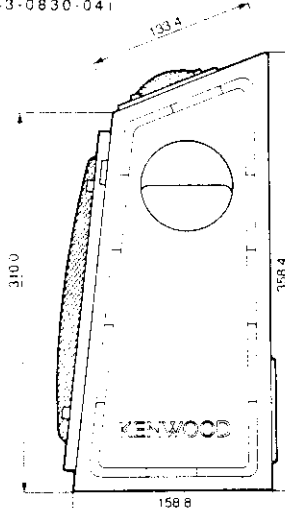
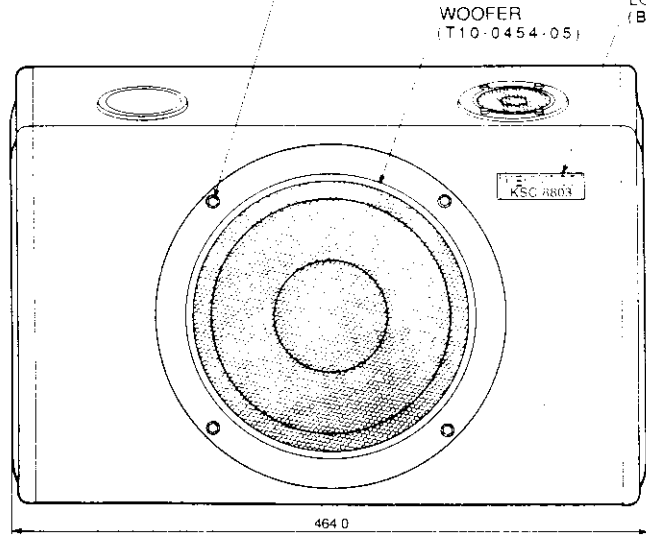


TWEETER
 (T03-0335-05)
 HEX-SOCKET TAPPING SCREW
 (#10×1": 708980)

HEX-SOCKET TAPPING SCREW
 (#10×1": 708980)

WOOFER
 (T10-0454-05)

LOGO BADGE
 (B43-0830-04)

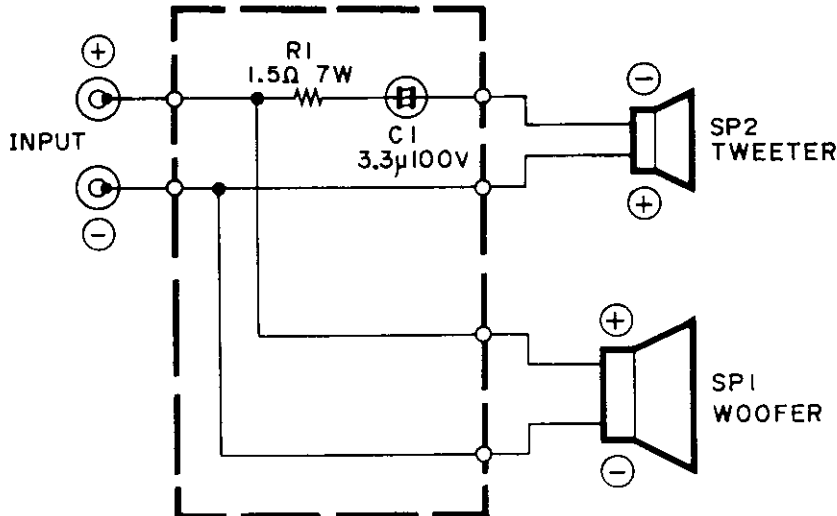


TAPPING SCREW
 (#6×5/8": 708003)

NETWORK ASS'Y
 (X21-5240-10)

NETWORK

NETWORK ASS'Y (X21-5240-10)



PARTS LIST

* New Parts Parts without Parts No. are not supplied.

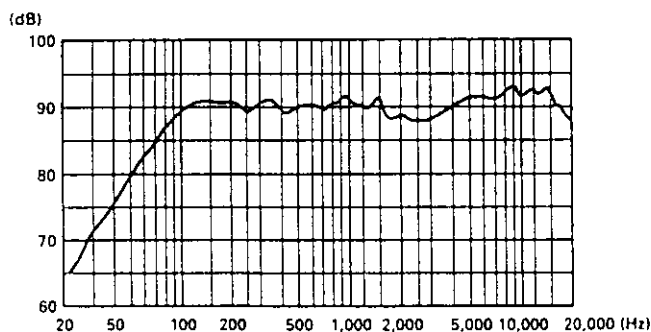
Ref. No.	Address	New	Parts No.	Description	Desti- nation	Re- mark
参照番号	位置	新	部品番号	部品名/規格	仕向	備考
K S C - 8 8 0 3						
-			B43-0830-04	BADGE		
SP1			T10-0454-05	WOOFER		
SP2			T03-0335-05	TWEETER		
-			X21-5240-10	NETWORK ASSY		

SPECIFICATIONS

System	2-way 2-speaker system
Enclosure	Bass-reflex, portable type
Mounted drivers	
Woofer	8 in (200mm) cone type
Tweeter	2 in (50mm) cone type
Nominal impedance	4Ω
Peak input power	200W
Rated input power	70W
Sensitivity	90dB/W at 1m
Frequency response	50Hz ~ 20,000Hz
Crossover frequency	6,000Hz
Terminals	Push-lever type
Dimensions	W : 18-1 / 4 in (464mm) H : 14-1 / 8 in (358.4mm) D : 6-1 / 4 in (158.8mm)
Net weight	14 lbs 2oz (6.4kg) / piece
Enclosure finish	High density particle board, covered with gray carpet.
Accessories	Speaker wires Length : 13 ft (4m) x 2

Note: KENWOOD follows a policy of continuous advancement in development. For this reason specifications may be changed without notice.

FREQUENCY RESPONSE



KENWOOD CORPORATION

14-6 Dogenzaka 1-chome, Shibuya-ku, Tokyo 150 Japan
KENWOOD SERVICE CORPORATION
 P.O. BOX 22745, 2201 East Dominguez St., Long Beach, CA 90801-5745, U.S.A.
KENWOOD ELECTRONICS CANADA INC.
 6070 Kestrel Road, Mississauga, Ontario, Canada L5T 1S8
KENWOOD ELECTRONICS LATIN AMERICA S.A.
 P.O. BOX 55-2791, Piso 5 Plaza Clase, Cl. 47 y Aquino de la Guardia, Panama, Republic de Panama
TRIO KENWOOD U.K. LIMITED
 KENWOOD House, Dwight Road, Watford, Herts, WD1 8EB United Kingdom
KENWOOD ELECTRONICS BENELUX N.V.
 Moennesteenweg 418 B-1930 Zaventem, Belgium
KENWOOD ELECTRONICS DEUTSCHLAND GMBH
 Rembrucker Str. 15, 63150 Hausenstamm, Germany
TRIO KENWOOD FRANCE S.A.
 13 Boulevard Ney, 75018 Paris, France
KENWOOD ELECTRONICS ITALIA S.p.A.
 Via S. Sultori, 7/9 20129 Milano, Italy
KENWOOD IBERICA S.A.
 Suria, 233-08020 Barcelona, Spain
KENWOOD ELECTRONICS AUSTRALIA PTY. LTD. (A.C.N. 161 499 014)
 P.O. BOX 504, 8 Figuee Drive, Australia Centre, Homebush, N.S.W. 2140, Australia
KENWOOD & LEE ELECTRONICS, LTD.
 Unit 27/28/29, Level 37, Tower One, Metroplaza, 223 Hing Fong Road, Kwai Fong, N.T., Hong Kong
KENWOOD ELECTRONICS SINGAPORE PTE LTD.
 No. 1, Ginting Lane #07-00, KENWOOD Building, Singapore, 1534
KENWOOD ELECTRONICS (MALAYSIA) SDN LTD.
 12th Floor, Block B, Wisma Sentral, 1st, 12, Jalan Ghergeng, Bukit Damansara
 50490 Kuala Lumpur, Malaysia